

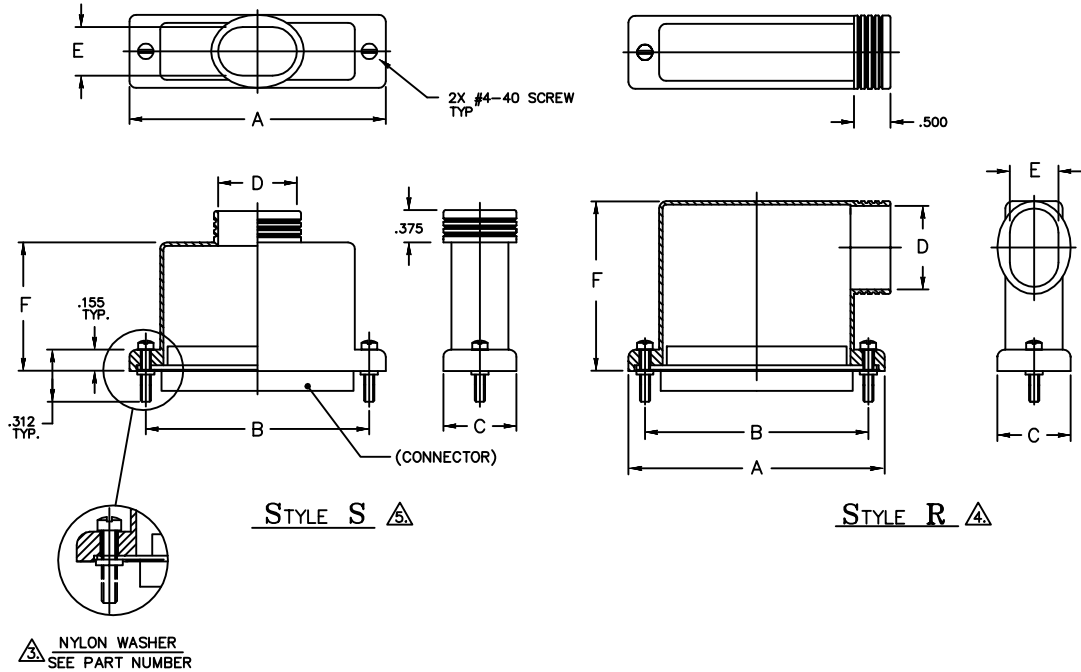


ELECTRO ADAPTER, INC.
 CHATSWORTH, CALIFORNIA, USA 91311
 PHONE: (818) 998-1198
 FAX: (818) 709-5773
 WEB SITE: www.electro-adapter.com

RECTANGULAR BACKSHELL, EMI/RFI,
 FOR MIL-DTL-2430B, D-SUB,
 PANEL MOUNT, BAND TERMINATION,
 STRAIGHT ENTRY, 90° SIDE ENTRY

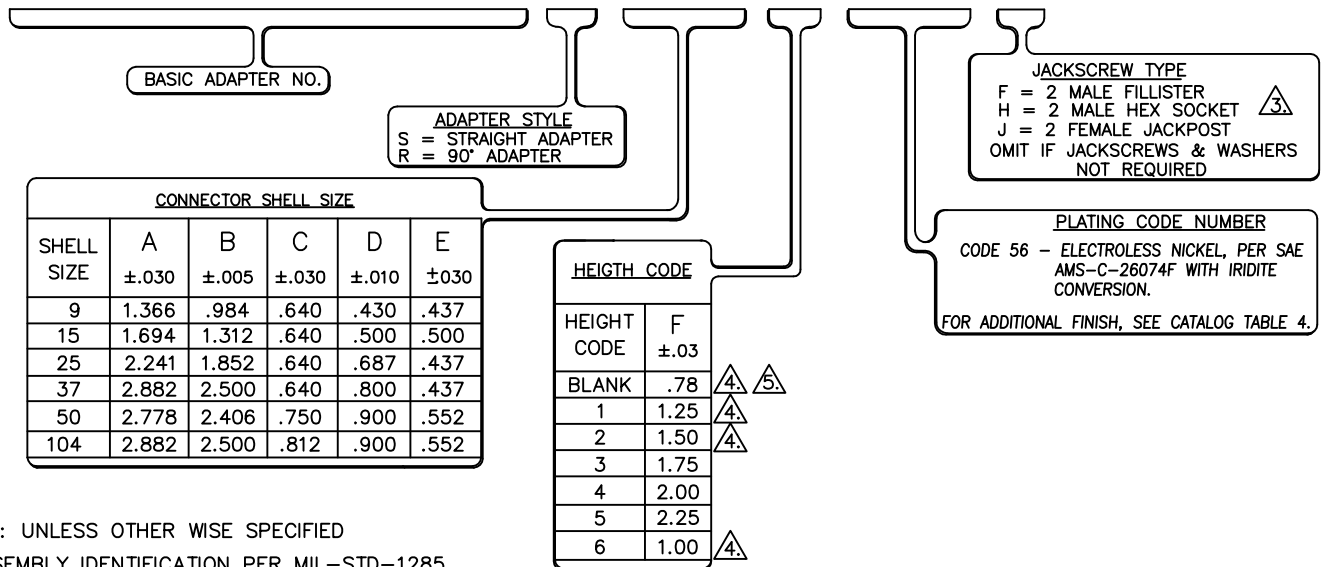
SPECIFICATION CONTROL DRAWING

901-820



Example Part Number

901-820S25156*



NOTES: UNLESS OTHER WISE SPECIFIED

1. ASSEMBLY IDENTIFICATION PER MIL-STD-1285
2. MATERIAL: BACKSHELL - ALUMINUM ALLOY
 HARDWARE - STAINLESS STEEL
 GASKET - EMI ALUMINUM WEAVE,
 NEOPRENE IMPREGNATED

- SCREW ARE CAPTIVATED WITH NYLON WASHERS
- NOT AVAILABLE ON SHELL SIZE 37 OR 50 STYLE R ADAPTERS
- BLANK HEIGHT CODE AVAILABLE WITH STYLE S ONLY
- ADD "L" TO P/N FOR ADAPTER LESS GASKET.

REV M