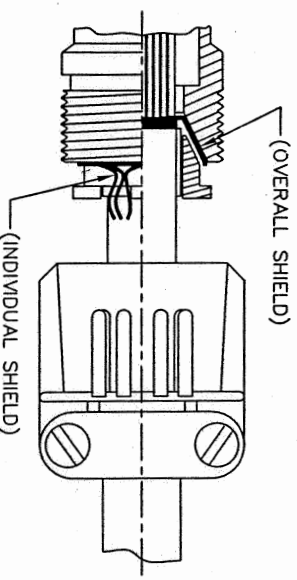
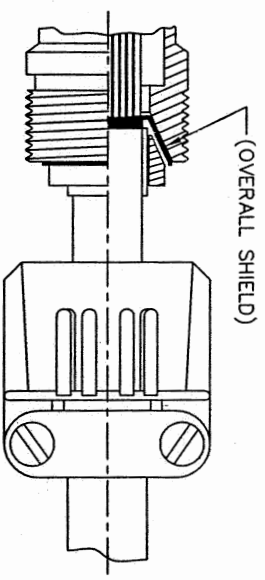


ASSEMBLY PROCEDURE

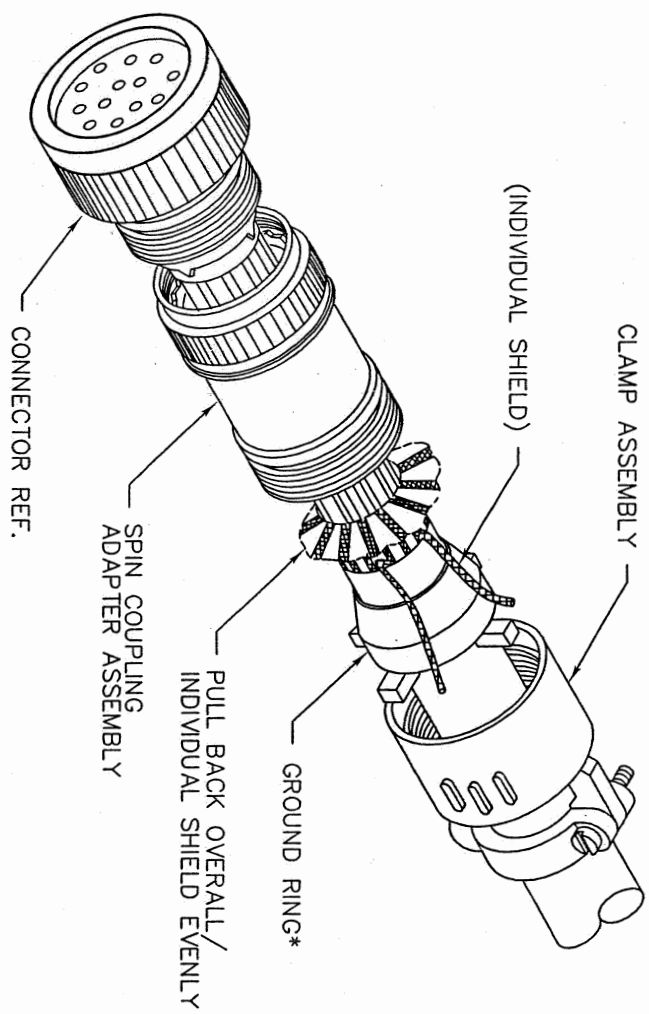
CABLE 'STRIP LENGTHS' ARE PREDICATED ON ADAPTER ORDER LENGTH OF CODE 08 (2.00 INCHES). FOR OTHER LENGTHS, ADD OR DEDUCT APPROPRIATE AMOUNT TO DIMENSIONS GIVEN.

1. SLIDE ALL BACKSHELL COMPONENTS ON CABLE IN SEQUENCE SHOWN.
2. CUT INDIVIDUAL CONDUCTOR OUTER JACKETS BACK 1.5 INCHES (CUT OVERALL JACKET, IF SO SUPPLIED, 2.0 INCHES.) OVERALL SHIELD, FOLD BACK & TEMPORARILY SPOT TIE OR TAPE.
3. PREPARE AND TERMINATE CONDUCTORS TO CONNECTOR AS PER CUSTOMER ESTABLISHED PROCEDURE.
4. SLIDE SPIN COUPLING ADAPTER & UP CABLE AND TORQUE SECURELY TO CONNECTOR PER AS85049 COUPLING THREAD STRENGTH.
5. UNTIE AND FOLD SHIELD OVER RFI RING EVENLY AND SLIDE RFI RING INTO BACK BORE IN ADAPTER. TRIM EXCESS SHIELD IF NECESSARY.
6. ENGAGE CABLE CLAMP AND TIGHTEN SECURELY. TIGHTEN CLAMP SADDLE BARS ON CABLE TO 20 in. lbs. MAX..

*CASTELLATED RING SHOWN FOR REFERENCE PURPOSE ONLY. A STANDARD GROUND RING WILL BE PROVIDED UNLESS MOD CODE "K" WAS SPECIFIED ON BACKSHELL ASSEMBLY (REF 61** SERIES ADAPTERS.) STANDARD OVERALL SHIELD MAY BE TERMINATED AS SHOWN BELOW.



SHIELD MAY BE TERMINATED AS SHOWN BELOW WITH ADAPTERS ASSEMBLIES USING MOD CODE "K" (CASTELLATED RING)



PART NO. EAI6100S			
REVISIONS			
LTR	ECO NO.	DRAWN	APPR.


The information disclosed herein is the property of and a proprietary item originated by Electro Adapter, Inc., who reserves all patent, proprietary design, use, sale, manufacturing and reproduction rights in the United States Government and items to which are vendor parts, disclosure shall not be made without written consent from ELECTRO ADAPTER, INC.

UNLESS OTHERWISE SPECIFIED DIMENSIONS ARE IN INCHES

TOLERANCES: ANGLES ± .2° DECIMALS .08 XXX ± .031

DO NOT SCALE DRAWING

REDRAWN	DATE	DATE	DATE
A.I. PEVA	5/7/03	2/13-11	9-13-11
CHKD	DATE	DATE	DATE
APVD	DATE	DATE	DATE


ELECTRO ADAPTER, INC.
 CHATSWORTH, CA. 91311-6189

DRAWING TITLE
 ASSEMBLY PROCEDURE OVERALL INDIVIDUAL SHIELD TERMINATION EAI 61** & E*05 SERIES ADAPTERS

SIZE: A
 GAGE CODE: 31461
 SCALE: NONE
 DRAWING NUMBER: EAI6100S
 SHEET: 1 OF 1