

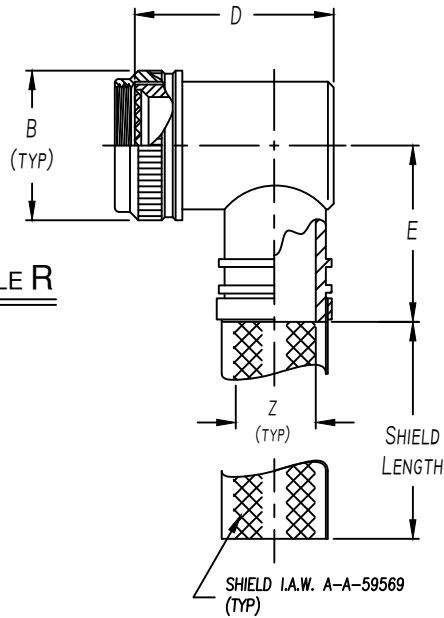


Table 2 - Cable Entry Data

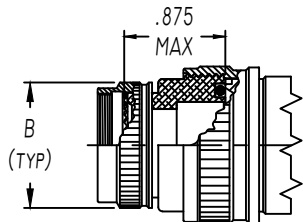
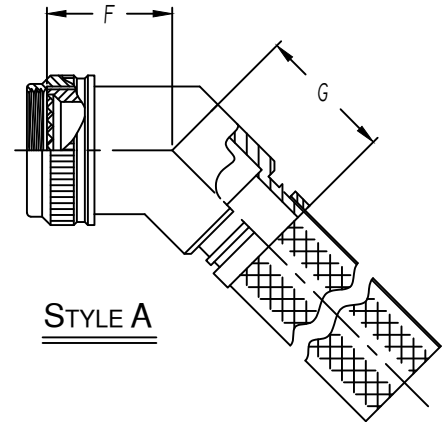
| ENTRY ORDER NUMBER | Z<br>+.010<br>-.020<br>DIA. |
|--------------------|-----------------------------|
| 04                 | .250                        |
| 06                 | .375                        |
| 08                 | .500                        |
| 10                 | .625                        |
| 12                 | .750                        |
| 14                 | .875                        |
| 16                 | 1.000                       |
| 18                 | 1.125                       |
| 20                 | 1.250                       |

WHEN MAXIMUM CABLE ENTRY EXCEEDS THE CONNECTOR INTERFACE DIAMETER, A 2 PIECE ADAPTER WILL BE SUPPLIED. CONSULT FACTORY FOR LARGER ENTRY SIZES.

STYLE R

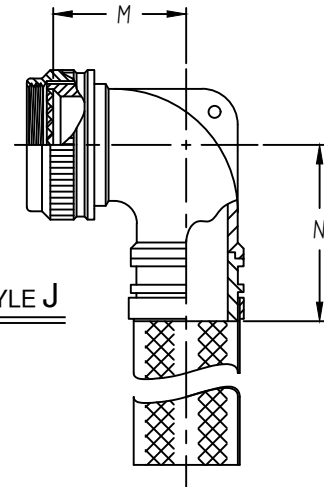


STYLE A



CONFIG FOR 2 PIECE

⑤ STYLE J



OTHER CONNECTOR CODES AVAILABLE  
 CONTACT ENGINEERING FOR DETAILS

ASSEMBLY PART NUMBER

TO ESTABLISH YOUR P/N, USE THE FOLLOWING EXAMPLE

**E 41 32 R 23 08 1 06 S 51**

FUNCTION DESIGNATOR  
 E-NON EMI ADAPTER

CONNECTOR CODE NUMBER - TABLE 1 ⑤

SERIES PART NUMBER

ADAPTER STYLE  
 R = 90° ADAPTER  
 A = 45° ADAPTER

ACCESSORY ORDER NUMBER-TABLE 1

CABLE ENTRY ORDER NUMBER-TABLE 2

MOD CODE ⑤

PLATING CODE NUMBER-TABLE 4 ⑤

GLAND & O-RING MATERIAL OPTION  
 B - NEOPRENE & BUNA-N  
 S - SILICONE  
 N - NONE (NON ENVIROMENTAL)

SHIELD LENGTH CODE  
 SHIELD LENGTHS ARE CHOSEN IN 1.00 INCH INCREMENTS (I.E. 08 = 8.00"). MINIMUM ORDER LENGTH IS 3.00" CODE 03 (00 FOR NO SHIELD).

SHIELD OPTION  
 1 - SINGLE LAYER TINNED COPPER  
 2 - DOUBLE LAYER TINNED COPPER

# Table 1 - Order Number Data

E \* \* 32  
SHEET 2 OF 2

## Accessory Order Number By Connector Code & Shell Size

| ORDER NUMBER | MIL-DTL-38999 SERIES III & IV |        | MIL-DTL-38999 SERIES I & II |    | MIL-DTL-5015 CRIMP |          | MIL-DTL-26482 SER 2 |          | MIL-DTL-83723 SER III |          | MIL-C-81703 NAS 1599 |          | ORDER NUMBER |
|--------------|-------------------------------|--------|-----------------------------|----|--------------------|----------|---------------------|----------|-----------------------|----------|----------------------|----------|--------------|
|              | 40                            | 41     | 54                          |    | A                  | B        | D                   | E        | F                     | G        | M                    | N        |              |
|              | ②                             |        |                             |    | UNIFIED THREAD     | MAX DIA. | REF DIM.            | REF DIM. | REF DIM.              | REF DIM. | MAX DIM.             | MAX DIM. |              |
| 01           |                               |        |                             |    | .375-32            | .750     | 1.031               |          | .500                  |          |                      |          | 01           |
| 03           |                               |        |                             |    | .438-27            | .812     | 1.094               | 1.188    | .500                  |          |                      |          | 03           |
| 04           |                               | 8, 9   |                             |    | .438-28            | .812     | 1.000               |          | .750                  |          | .500                 | 1.730    | 04           |
| 05           |                               |        | 8 & 8S                      |    | .500-20            | .875     | .938                |          | .719                  | 1.062    | .500                 | 1.730    | 05           |
| 06           |                               |        |                             |    | .500-28            | .875     | 1.562               |          | 1.062                 |          |                      |          | 06           |
| 07           | 9, A                          |        |                             |    | M12 x 1.0          | .719     | .938                | 1.250    | .500                  |          | .500                 | 1.730    | 07           |
| 08           |                               | 10, 11 |                             | 3  | .562-24            | .844     | 1.375               |          | .750                  |          | .595                 | 1.850    | 08           |
| 10           |                               |        | 10,10S,10SL                 |    | .625-24            | 1.000    | 1.562               |          | 1.062                 |          | .595                 | 1.850    | 10           |
| 11           |                               |        |                             |    | .625-28            | 1.000    | 1.688               | 1.312    | 1.062                 | 1.094    |                      |          | 11           |
| 12           | 11, B                         |        |                             |    | M15 x 1.0          | .844     | 1.125               |          | .500                  |          | .595                 | 1.850    | 12           |
| 13           |                               | 12, 13 |                             |    | .688-24            | 1.062    | 1.500               |          | .750                  |          | .610                 | 1.870    | 13           |
| 15           |                               |        | 12 & 12S                    | 7  | .750-20            | 1.125    | 1.812               |          | .875                  |          | .610                 | 1.870    | 15           |
| 16           | 13, C                         |        |                             |    | M18 x 1.0          | .969     | 1.188               | 1.375    | .562                  | 1.125    | .610                 | 1.870    | 16           |
| 18           |                               | 14, 15 |                             |    | .812-20            | 1.188    | 1.500               |          | .812                  |          | .700                 | 1.940    | 18           |
| 19           |                               |        | 14 & 14S                    | 12 | .875-20            | 1.250    | 1.875               |          | .750                  |          | .700                 | 1.940    | 19           |
| 20           |                               |        |                             |    | .875-28            | 1.250    | 1.938               |          | 1.125                 |          |                      |          | 20           |
| 21           | 15, D                         |        |                             |    | M22 x 1.0          | 1.094    | 1.312               | 1.438    | .562                  |          | .700                 | 1.940    | 21           |
| 23           |                               | 16, 17 |                             |    | .938-20            | 1.312    | 1.625               |          | .875                  |          | .885                 | 2.030    | 23           |
| 24           |                               |        | 16 & 16S                    | 19 | 1.000-20           | 1.375    | 2.000               |          | .719                  |          | .885                 | 2.030    | 24           |
| 25           |                               |        |                             |    | 1.000-28           | 1.375    | 2.062               | 1.500    | 1.156                 |          |                      |          | 25           |
| 26           | 17, E                         |        |                             |    | M25 x 1.0          | 1.219    | 1.438               |          | .594                  | 1.188    | .885                 | 2.030    | 26           |
| 28           |                               | 18, 19 | 18                          | 27 | 1.062-18           | 1.438    | 1.688               |          | .875                  |          | .975                 | 2.200    | 28           |
| 29           |                               |        |                             |    | 1.125-18           | 1.500    | 2.156               |          | .938                  |          |                      |          | 29           |
| 30           |                               |        |                             |    | 1.125-24           | 1.500    | 1.938               | 1.562    | .625                  |          |                      |          | 30           |
| 31           |                               |        |                             |    | 1.125-28           | 1.500    | 2.125               |          | 1.188                 |          |                      |          | 31           |
| 32           | 19, F                         |        |                             |    | M28 x 1.0          | 1.344    | 1.500               |          | .625                  |          | .975                 | 2.200    | 32           |
| 34           |                               | 20, 21 | 20                          | 37 | 1.188-18           | 1.562    | 1.812               |          | .875                  |          | .975                 | 2.200    | 34           |
| 35           |                               |        |                             |    | 1.250-18           | 1.625    | 2.250               |          | .938                  |          |                      |          | 35           |
| 36           |                               |        |                             |    | 1.250-28           | 1.625    | 2.250               | 1.625    | 1.250                 | 1.219    |                      |          | 36           |
| 37           | 21, G                         |        |                             |    | M31 x 1.0          | 1.469    | 1.625               |          | .688                  |          | .975                 | 2.200    | 37           |
| 39           |                               | 22, 23 | 22                          |    | 1.312-18           | 1.688    | 1.938               |          | .938                  |          | 1.125                | 2.310    | 39           |
| 40           |                               |        |                             |    | 1.375-18           | 1.750    | 2.375               |          | 1.000                 |          |                      |          | 40           |
| 41           |                               |        |                             |    | 1.375-28           | 1.750    | 2.375               |          | 1.250                 |          |                      |          | 41           |
| 42           | 23, H                         |        |                             |    | M34 x 1.0          | 1.594    | 1.750               |          | .656                  | 1.250    | 1.125                | 2.310    | 42           |
| 44           |                               | 24, 25 | 24                          |    | 1.438-18           | 1.812    | 2.000               |          | 1.000                 |          | 1.125                | 2.310    | 44           |
| 45           |                               |        |                             | 61 | 1.500-18           | 1.875    | 1.875               | 1.688    | .938                  | 1.438    |                      |          | 45           |
| 46           |                               |        |                             |    | 1.500-28           | 1.875    | 2.500               |          | 1.250                 |          |                      |          | 46           |
| 47           | 25, J                         |        |                             |    | M37 x 1.0          | 1.719    | 1.875               |          | .688                  | 1.250    | 1.125                | 2.310    | 47           |
| 48           |                               |        |                             |    | 1.562-18           | 1.938    | 2.125               |          | 1.062                 |          |                      |          | 48           |
| 49           |                               |        |                             |    | 1.625-18           | 2.000    | 2.500               | 1.812    | 1.250                 | 1.312    |                      |          | 49           |
| 51           |                               |        | 28                          |    | 1.750-18           | 2.125    | 2.062               |          | .938                  |          |                      |          | 51           |
| 52           |                               |        |                             |    | 1.875-16           | 2.250    | 2.750               | 1.938    | 1.125                 | 1.344    |                      |          | 52           |
| 53           |                               |        |                             |    | 1.906-18           | 2.281    | 2.438               |          | .750                  |          |                      |          | 53           |
| 54           |                               |        | 32                          |    | 2.000-18           | 2.375    | 2.312               |          | .969                  |          |                      |          | 54           |
| 55           |                               |        |                             |    | 2.062-16           | 2.469    | 3.000               |          | .969                  |          |                      |          | 55           |
| 56           |                               |        |                             |    | 2.062-24           | 2.469    | 1.875               | 2.062    | .812                  | 1.406    |                      |          | 56           |
| 57           |                               |        |                             |    | 2.125-16           | 2.500    | 1.875               |          | .812                  |          |                      |          | 57           |
| 58           |                               |        |                             |    | 2.125-18           | 2.500    | 1.875               |          | .812                  |          |                      |          | 58           |
| 59           |                               |        | 36                          |    | 2.250-16           | 2.625    | 2.438               |          | 1.031                 |          |                      |          | 59           |
| 60           |                               |        |                             |    | 2.312-16           | 2.719    | 3.250               | 2.188    | 1.000                 | 1.438    |                      |          | 60           |
| 61           |                               |        |                             |    | 2.375-16           | 2.750    | 2.000               |          | .875                  |          |                      |          | 61           |
| 62           |                               |        | 40                          |    | 2.500-16           | 2.875    | 2.688               | 2.750    | 1.125                 | 1.500    |                      |          | 62           |

NOTES: UNLESS OTHERWISE SPECIFIED.

- 1 THREADS ARE RIGHT HAND IN ACCORDANCE WITH FED-STD-H28, CLASS 2B.
- ② THREADS NOTED ARE ISO METRIC, CLASS 6H.

- 4 TABLE 1 LISTS THE MOST USED CONNECTOR CODES. SEE SECTION 11 FOR OTHER CODES AVAILABLE AND COMPLETE CONNECTOR PART NUMBER CROSS REFERENCE.

⑤ SEE SUPPORT DATA SECTION FOR TABLE V & AVAILABLE OPTION CODES

REV | D