

**Example Part Number**  
**902-276S250656F**

**BASIC ADAPTER NO.**  
**ADAPTER STYLE**  
 S = TOP ENTRY ADAPTER  
 F = SIDE ENTRY ADAPTER  
 R = END ENTRY ADAPTER

**CONNECTOR SHELL SIZE**

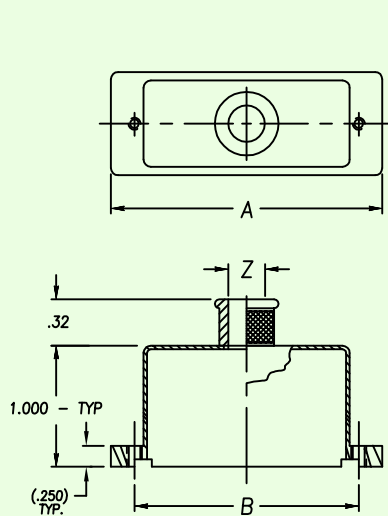
SHELL SIZE	A ±.055	B ±.005	C ±.058	MAX. ENTRY SIZE
09	1.192	.984	.472	0 7
15	1.519	1.312	.472	0 7
25	2.066	1.852	.472	0 7
37	2.712	2.500	.472	0 7
50	2.622	2.406	.602	0 8

**ENTRY CODE**

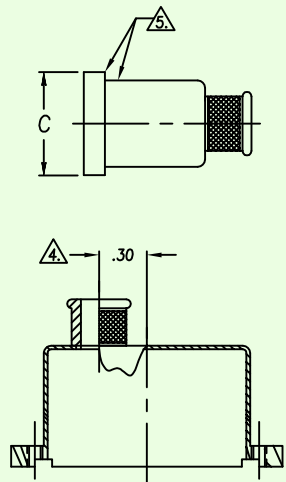
ENTRY CODE	ØZ ±.005	E REF
0 4	.250	1.250
0 5	.312	1.380
0 6	.375	1.380
0 7	.438	1.500
0 8	.500	1.500

**JACKSCREW OPTION**  
 F = FILLISTER HEAD SCREW WITH CLIP  
 C = 4-40 SCREW HEX SOCKET WITH RETENTION CLIP

**PLATING CODE NUMBER**  
 CODE 55 - CADMIUM, OLIVE DRAB, PER SAE AMS-QQP-416, TYPE II, CL 3, OVER ELECTROLESS NICKEL, PER AMS-C-26074, CL 3 OR 4, GRADE B  
 CODE 56 - ELECTROLESS NICKEL, PER SAE AMS-C-26074  
 FOR ADDITIONAL FINISH, SEE CATALOG TABLE 4

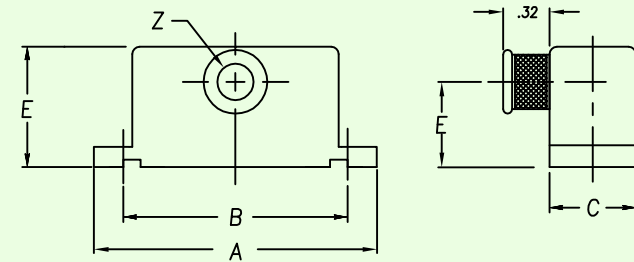


**STYLE S**  $\Delta$

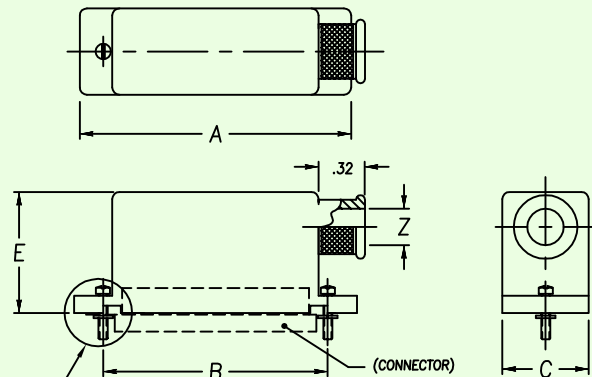


**STYLE 'C' OPTION**  
 SEE PART NUMBER

**STYLE 'F' OPTION**  
 SEE PART NUMBER



**STYLE F**



**STYLE R**

NOTES: UNLESS OTHERWISE SPECIFIED

- IDENTIFICATION PER MIL-STD-1285
- MATERIAL: ADAPTER - ALLUMINUM ALLOY  
HARDWARE - SST
- FINISH: SEE P/N

- $\Delta$  OFF-SET SHALL OCCUR ON SIZES 25, 37, & 50
  - $\nabla$  FLANGE STEP/LIP PRESENT ON SHELL SIZE 50 ONLY
- ALL OTHER SHELL SHALL BE SMOOTH TRANSITION

The information disclosed herein is the property of, and a proprietary item originated by ELECTRO ADAPTER, INC., who reserves all patent, proprietary design, use, sale, manufacturing and reproduction rights thereto; except for uses expressly granted to the United States Government and items which are vendor parts, disclosure shall not be made without written consent from ELECTRO ADAPTER, INC.

UNLESS OTHERWISE SPECIFIED DIMENSIONS ARE IN INCHES

TOLERANCES: ANGLES      DECIMALS  
 $\pm 2^\circ$       .XX =  $\pm .06$   
                  .XXX =  $\pm .031$

DO NOT SCALE DRAWING

DRAWN	DATE
SJDC	05/28/10
CHKD	DATE
GF	06/08/10
APVD	DATE
GF	06/08/10
GF	06/08/10
RELEASED	DATE

**ELECTRO ADAPTER, INC.**  
 CHATSWORTH, CA. 91311-6189

DRAWING TITLE  
 BACKSHELL, EMI/RFI  
 FOR MIL-DTL-24308, DSUB  
 PANELMOUNT, BAND TERMINATION,

SIZE	CAGE CODE	DRAWING NUMBER	REV.
A	31461	902-276	C

SCALE: NONE      /0/SALES/902/276      SHEET 1 OF 1

PART NO. 902-276			
REVISIONS			
LTR	ECO NO.	DRAWN	APPR.
B	21930	SJDC 01/27/12	GF 01/27/12
C	22646	SJDC 11/14/16	GF 11/15/16