

Example Part Number

902-13818-20C55

BASIC PART NUMBER CONNECTOR CODE

PLATING CODE NUMBER
 CODE 10 - PASSIVATE, PER QQ-P-35.
 MATERIAL: SST.
 CODE 51 - ELECTROLESS NICKEL, PER MIL-C-26074, CLASS 4, GRADE B.
 CODE 55 - CADMIUM, OLIVE DRAB, PER QQ-P-416, TYPE II, CLASS 3, OVER ELECTROLESS NICKEL PER MIL-C-26074 CLASS 3 OR 4, GRADE B.
 FOR ADDITIONAL FINISH OPTIONS, SEE CATALOG TABLE 4.

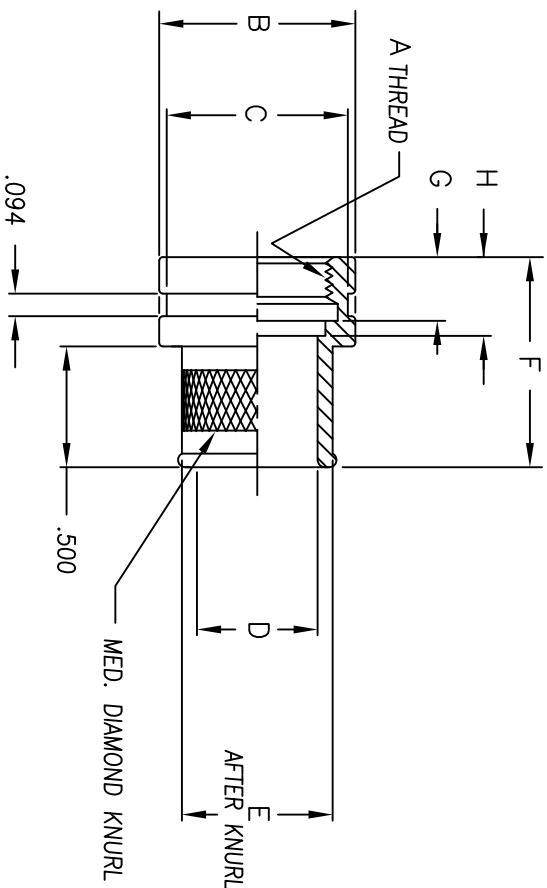
DASH NO.	A	ØB ±.010	(ØC)	(G)	(H)	D ±.005	(E)	F ±.031
08B	.375-32	.500	.438	.250	N/A	.250	.375	
08A	.438-27	.562	.500	.188	N/A	.312	.438	
08C	.438-28	.562	.500	.219	.281	.312	.438	
10C	.500-28	.625	.562	.219	.281	.375	.500	
11C	.562-24	.688	.625	.344	.390	.438	.562	.870
12C	.625-24	.750	.688	.250	N/A	.500	.625	
12A	.688-24	.812	.750	.250	N/A	.562	.688	
14C	.750-20	.875	.812	.250	.296	.625	.750	
16C	.875-20	1.000	.938	.250	.296	.750	.875	
18C	1.000-20	1.125	1.063	.375	.438	.812	.938	
20C	1.125-18	1.250	1.188	.375	.438	1.000	1.125	
20R	1.125-24	1.250	1.188	.344	N/A	1.000	1.125	1.000
22C	1.250-18	1.375	1.312	.375	.438	1.125	1.250	
24C	1.375-18	1.500	1.438	.375	.438	1.375	1.250	
28C	1.625-18	1.750	1.688	.375	.438	1.500	1.625	
32C	1.875-16	2.000	1.938	.375	.438	1.625	1.750	.938

- NOTES: UNLESS OTHERWISE SPECIFIED
- ASSEMBLY IDENTIFICATION PER MIL-STD-1285.
 - MATERIAL: ALUMINUM ALLOY



SCAN HERE FOR MORE INFO

PART NUMBER		REVISIONS	
902-13818		LTR	ECO NUMBER
A	21561	DATE	DATE
B	21590	DATE	DATE
C	22608	DATE	DATE



The information disclosed herein is the property of, and a proprietary item originated by ELECTRO ADAPTER, INC. who reserves all patent, proprietary design, use, sale, manufacturing and reproduction rights to the United States Government and items be made without written consent from ELECTRO ADAPTER, INC.

UNLESS OTHERWISE SPECIFIED DIMENSIONS ARE IN INCHES

TOLERANCES: ANGLES .xx DECIMALS .xxx = ± .06 .xxx = ± .031

DO NOT SCALE DRAWING

DRAWN	DATE	CHKD	DATE
LJ	03/03/09		
APVD	DATE	G. FISH	DATE
	03/10/09		

ELECTRO ADAPTER, INC.
 CHATSWORTH, CA 91311-6189

DRAWING TITLE: ADAPTER, BANDING

SIZE: A 31461
 SCALE: NONE
 SALES: 902-13818
 SHEET: 1 OF 1

DATE: 03/10/09

Example Part Number

902-13821-1656

BASIC PART NUMBER

CONNECTOR CODE
MIL-C-26482 SER.1

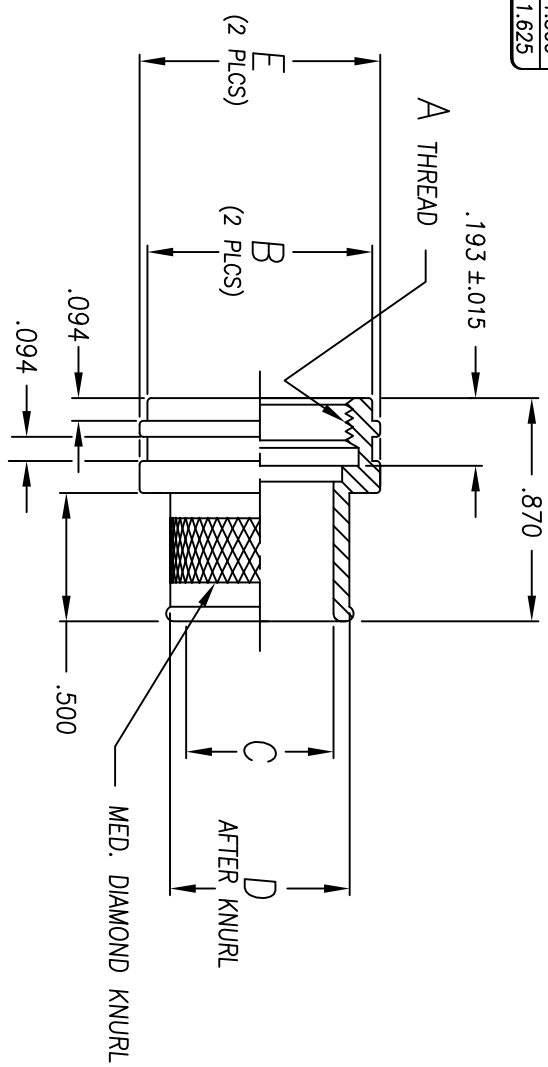
PLATING CODE NUMBER

CODE 55 - CADMIUM, OLIVE DRAB, PER
Q0-P-416, TYPE II, CLASS 3,
OVER ELECTROLESS NICKEL PER
MIL-C-26074 CLASS 3 OR 4,
GRADE B.
CODE 56 - ELECTROLESS NICKEL, PER
MIL-C-26074, CLASS 4, GRADE A.
FOR ADDITIONAL FINISH OPTIONS,
SEE CATALOG TABLE 4.

ORDER NUMBER	SHELL SIZE	A UNIFIED THD. CLASS 2B	ØB ±.010	ØC ±.015	ØD ±.015	ØE ±.010
0 8	8	.438-28	.562	.312	.438	.625
1 0	10	.562-24	.688	.438	.562	.750
1 2	12	.688-24	.812	.562	.688	.875
1 4	14	.812-20	.938	.688	.812	1.000
1 6	16	.938-20	1.062	.812	.938	1.125
1 8	18	1.062-18	1.188	.938	1.062	1.250
2 0	20	1.188-18	1.312	1.062	1.188	1.375
2 2	22	1.312-18	1.438	1.188	1.312	1.500
2 4	24	1.438-18	1.562	1.312	1.438	1.625

PART NUMBER 902-13821

REVISIONS		
LTR	ECO NUMBER	APPROVED
A	22216	PADM 2/27/13
B	22608	SJDC 06-07-16



NOTES: UNLESS OTHERWISE SPECIFIED

- ASSEMBLY IDENTIFICATION PER MIL-STD-1285.
- MATERIAL: ALUMINUM ALLOY



SCAN HERE FOR MORE INFO

The information disclosed herein is the property of, and a proprietary item originated by ELECTRO ADAPTER, INC., who reserves all patent, proprietary design, use, sale, manufacturing and reproduction rights hereto, except for uses expressly granted to the United States Government and items which the vendor parts, discloses, shall not be used for other than the intended use of ELECTRO ADAPTER, INC.

UNLESS OTHERWISE SPECIFIED DIMENSIONS ARE IN INCHES

TOLERANCES: ANGLES ± Z' DECIMALS ± .06
XXX = ± .031

DRAWN	DATE	CHKD	DATE
LJ	10/21/08	G. FISH	10/21/08
APVD	DATE		DATE
	10/21/08		

ELECTRO ADAPTER, INC.
CHATSWORTH, CA. 91311-6189

DRAWING TITLE
ADAPTER, BANDING
FOR MIL-DTL-26482
SERIES I CONN

SIZE CAGE CODE
A | 51461 | DRAWING NUMBER
SCALE: NONE | 0\SALES\902\13821 | SHEET 1 OF 1

REV. B

DO NOT SCALE DRAWING

Example Part Number

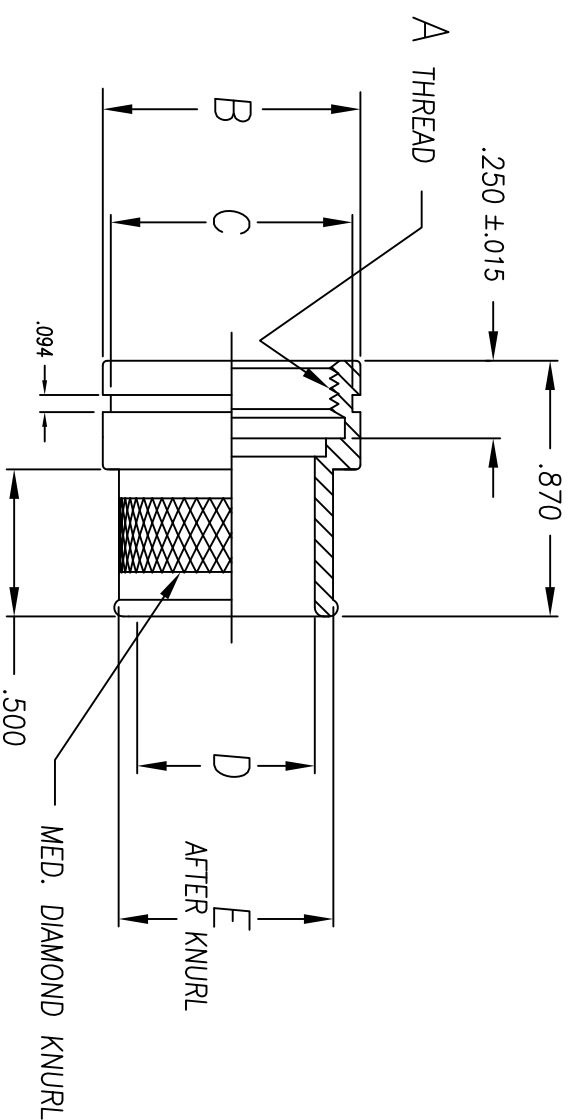
902-13840-1656

BASIC PART NUMBER

CONNECTOR CODE

ORDER NUMBER	SHELL SIZE		A METRIC THD. CLASS 6H	ØB ±.015	ØC ±.015	ØD ±.015	ØE ±.015
	COM'L	MIL					
0 8	9	A	M12 X 1.0	.688	.625	.312	.438
1 0	11	B	M15 X 1.0	.812	.750	.438	.562
1 2	13	C	M18 X 1.0	.938	.875	.562	.688
1 4	15	D	M22 X 1.0	1.062	1.000	.688	.812
1 6	17	E	M25 X 1.0	1.188	1.125	.812	.938
1 8	19	F	M28 X 1.0	1.312	1.250	.938	1.062
2 0	21	G	M31 X 1.0	1.438	1.375	1.062	1.188
2 2	23	H	M34 X 1.0	1.562	1.500	1.188	1.312
2 4	25	J	M37 X 1.0	1.688	1.625	1.312	1.438

PLATING CODE NUMBER
 CODE 10 - PASSIVATE, PER SAE-AMS-2700D (MAT'L:300 SERIES, SST), TYPE 6
 CODE 55 - CADMIUM, OLIVE DRAB, PER QQ-P-416, TYPE II, CLASS 3, OVER ELECTROLESS NICKEL PER MIL-C-26074 CLASS 3 OR 4, GRADE B.
 CODE 56 - ELECTROLESS NICKEL, PER MIL-C-26074, CLASS 4, GRADE A.
 FOR ADDITIONAL FINISH OPTIONS, SEE CATALOG TABLE 4.



- NOTES: UNLESS OTHERWISE SPECIFIED
1. ASSEMBLY IDENTIFICATION PER MIL-STD-1285.
 2. MATERIAL: ALUMINIUM ALLOY



<p>SCAN HERE FOR MORE INFO</p>		<p>UNLESS OTHERWISE SPECIFIED DIMENSIONS ARE IN INCHES</p> <p>TOLERANCES: ANGLES ± Z DECIMALS .XX ± .06 ± Z .XX ± .031</p> <p>DO NOT SCALE DRAWING</p>		<p>DRAWN AT PENNA</p> <p>DATE 7/24/04</p>	<p>DATE 7/30/04</p>	<p>ELECTRO ADAPTER, INC. CHATSWORTH, CA. 91311-6189</p>
<p>ADAPTER, BANDING FOR MIL-DTL-38999 SERIES III & IV CONN</p>		<p>CHKD G. FISH</p> <p>DATE 7/30/04</p>	<p>APVD G. FISH</p> <p>DATE 7/30/04</p>	<p>SIZE A</p> <p>CAGE CODE 31461</p> <p>DRAWING NUMBER 902-13840</p> <p>SCALE: NONE</p>	<p>REV. F</p>	

PART NO.		REVISIONS		
LTR	ECO NO.	DRAWN	APPR.	
E	22216	PADM	GF	
F	22608	SIDC	GF	
		6-7-16	06-07-16	

902-13840

Example Part Number

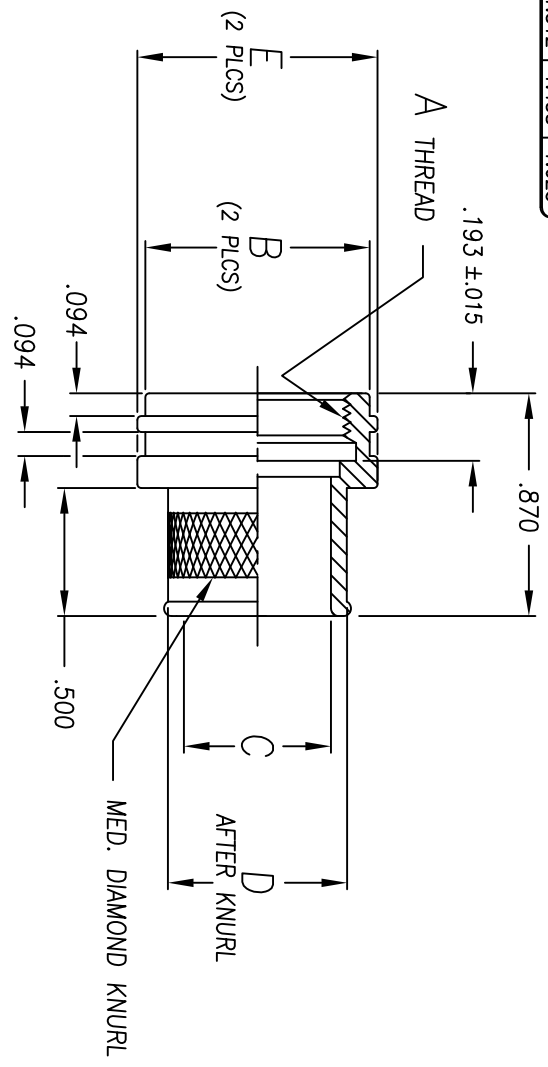
902-13841-1656

BASIC PART NUMBER CONNECTOR CODE

PART NUMBER		REVISIONS	
902-13841		LTR	ECO NUMBER
		E	22216
		F	22608
DRAWN	APPROVED	DRAWN	APPROVED
PADM	GF	PADM	GF
2/27/13	2/27/13	SJDC	GF
6-7-16	06-07-16		

ORDER NUMBER	SHELL SIZE		A UNIFIED THD. CLASS 2B	ØB ±.010	ØC ±.015	ØD ±.015	ØE ±.010
	SER. II	SER. I					
0 8	8	9	.438-28	.562	.312	.438	.625
1 0	10	11	.562-24	.688	.438	.562	.750
1 2	12	13	.688-24	.812	.562	.688	.875
1 4	14	15	.812-20	.938	.688	.812	1.000
1 6	16	17	.938-20	1.062	.812	.938	1.125
1 8	18	19	1.062-18	1.188	.938	1.062	1.250
2 0	20	21	1.188-18	1.312	1.062	1.188	1.375
2 2	22	23	1.312-18	1.438	1.188	1.312	1.500
2 4	24	25	1.438-18	1.562	1.312	1.438	1.625

PLATING CODE NUMBER
 CODE 55 - CADMIUM, OLIVE DRAB, PER QQ-P-416, TYPE II, CLASS 3, OVER ELECTROLESS NICKEL PER MIL-C-26074 CLASS 3 OR 4, GRADE B.
 CODE 56 - ELECTROLESS NICKEL, PER MIL-C-26074, CLASS 4, GRADE A.
 FOR ADDITIONAL FINISH OPTIONS, SEE CATALOG TABLE 4.



- NOTES: UNLESS OTHERWISE SPECIFIED
- ASSEMBLY IDENTIFICATION PER MIL-STD-1285.
 - MATERIAL: ALUMINUM ALLOY



SCAN HERE FOR MORE INFO

The information disclosed herein is the property of, and a proprietary item originated by ELECTRO ADAPTER, INC., who reserves all patent, proprietary design, use, sale, manufacturing and reproduction rights hereto, except for uses expressly granted to the United States Government and items made without patent, consent from ELECTRO ADAPTER, INC.

UNLESS OTHERWISE SPECIFIED DIMENSIONS ARE IN INCHES

TOLERANCES: ANGLES DECIMALS
 ± .005 ± .010 ± .020 ± .031

DRAWN	DATE	CHKD	DATE	APVD	DATE
A.T. PEÑA	7/27/04	G. FISH	7/30/04		

ELECTRO ADAPTER, INC.
 CHATSWORTH, CA. 91311-6189

DRAWING TITLE
 ADAPTER, BANDING
 FOR MIL-DTL-38999
 SERIES I & II CONN

SIZE: A | GAGE CODE: 31461 | DRAWING NUMBER: 902-13841 | REV. F

SCALE: NONE | SALES: 902\13841 | SHEET: 1 OF 1

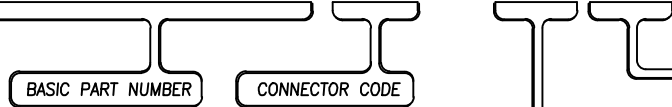
RELEASED: 7/30/04

DO NOT SCALE DRAWING

PART NO. 902-13861			
REVISIONS			
LTR.	ECO NO.	DRAWN	APPR.

Example Part Number

902-13861-1656



ORDER NUMBER	SHELL SIZE		A UNIFIED THD. CLASS 2B	øB ±.015	øC ±.015	øD ±.015	øE ±.015	F ±.015	G ±.015
	S/S	CODE							
0 8	8	A	.500-28	.688	.625	.312	.438	.312	.531
1 0	10	B	.625-28	.812	.750	.438	.562		
1 4	14	D	.875-28	1.062	1.000	.688	.812		
1 6	16	E	1.000-28	1.188	1.125	.812	.938		
1 8	18	F	1.125-28	1.312	1.250	.938	1.062	.348	.576
2 0	20	G	1.250-28	1.438	1.375	1.062	1.188		
2 2	22	H	1.375-28	1.562	1.500	1.188	1.312		
2 4	24	J	1.500-28	1.688	1.625	1.312	1.438		

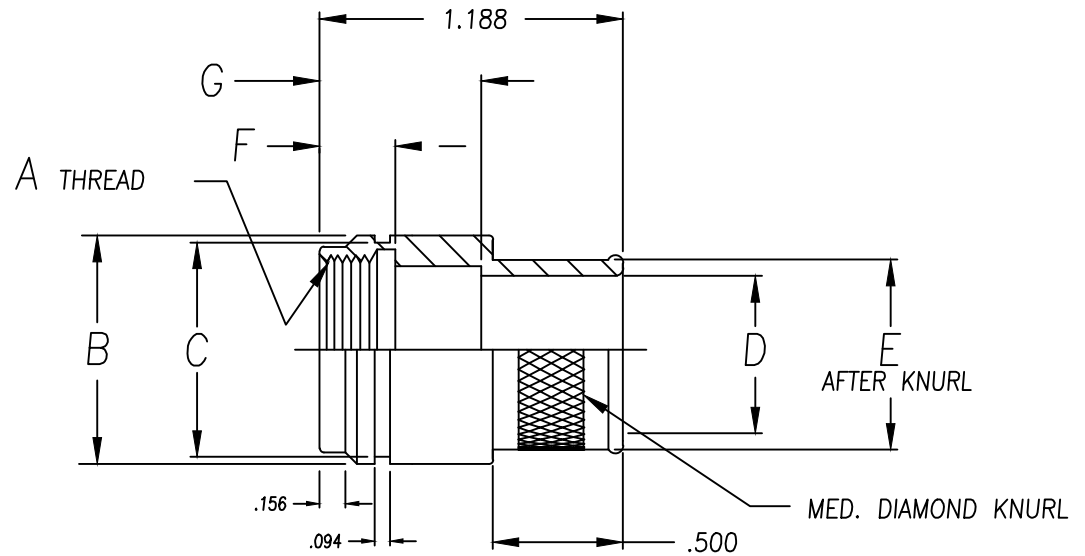
PLATING CODE NUMBER

03 = CADMIUM, OLIVE DRAB, PER SAE AMS-QQ-P-416, TYPE II, CLASS 3

55 = CADMIUM, OLIVE DRAB, PER SAE AMS-QQ-P-416, TYPE II, CLASS 3,
OVER ELECTROLESS NICKEL PER AMS-C-26074, CLASS 3 OR 4, GRADE B


56 = ELECTROLESS NICKEL PER SAE AMS-2404F, CLASS 3 OR 4, GRADE A.

FOR ADDITIONAL FINISH OPTIONS,
SEE CATALOG TABLE 4.



NOTES: UNLESS OTHERWISE SPECIFIED

1. ASSEMBLY IDENTIFICATION PER MIL-STD-1285.
2. MATERIAL: ALUMINUM ALLOY

The information disclosed herein is the property of, and a proprietary item originated by ELECTRO ADAPTER, INC., who reserves all patent, proprietary design, use, sale, manufacturing and reproduction rights thereto; except for uses expressly granted to the United States Government and items which are vendor parts, disclosure shall not be made without written consent from ELECTRO ADAPTER, INC.		DRAWN SJDC	DATE 01/27/09	 ELECTRO ADAPTER, INC. CHATSWORTH, CA. 91311-6189				
UNLESS OTHERWISE SPECIFIED DIMENSIONS ARE IN INCHES		CHKD	DATE					
TOLERANCES: ANGLES DECIMALS ± 2° .XX = ± .06 .XXX = ± .031		APVD GF	DATE 01/28/10	DRAWING TITLE ADAPTER, BANDING FOR MIL-C-81511 CONNECTOR				
DO NOT SCALE DRAWING		GF	01/28/10	<table border="1"> <tr> <td>SIZE A</td> <td>CAGE CODE 31461</td> <td>DRAWING NUMBER 902-13861</td> <td>REV.</td> </tr> </table>	SIZE A	CAGE CODE 31461	DRAWING NUMBER 902-13861	REV.
SIZE A	CAGE CODE 31461	DRAWING NUMBER 902-13861	REV.					
		RELEASED	DATE	SCALE: NONE /O/SALES/902/13861 SHEET 1 OF 1				

Example Part Number

902-13864-1656

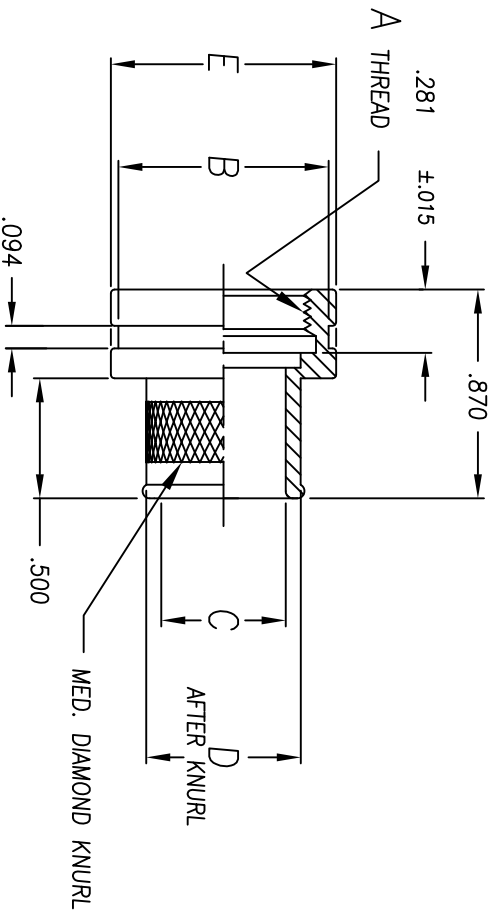
BASIC PART NUMBER

CONNECTOR CODE

ORDER NUMBER	SHELL SIZE	A UNIFIED THD. CLASS 2B	ØB ±.005	ØC ±.005	ØD ±.005	ØE ±.005
1 2	10SL & 12	.625-24	.688	.500	.625	.750
1 4	14	.750-20	.813	.625	.750	.875
1 6	16	.875-20	.938	.750	.875	1.000
1 8	18	1.000-20	1.063	.875	1.000	1.125
2 0	20	1.125-18	1.188	1.000	1.125	1.250
2 2	22	1.250-18	1.312	1.125	1.250	1.375
2 4	24	1.375-18	1.438	1.250	1.375	1.500
2 8	28	1.625-18	1.688	1.500	1.625	1.750
3 2	32	1.875-16	1.938	1.750	1.875	2.000
3 6	36	2.062-16	2.126	1.938	2.063	2.188
4 0	40	2.312-16	2.375	2.188	2.312	2.437

PLATING CODE NUMBER

CODE 55 - CADMIUM, OLIVE DRAB, PER QQ-P-416, TYPE II, CLASS 3, OVER ELECTROLESS NICKEL PER MIL-C-26074 CLASS 3 OR 4, GRADE B.
 CODE 56 - ELECTROLESS NICKEL, PER MIL-C-26074, CLASS 4, GRADE A.
 FOR ADDITIONAL FINISH OPTIONS, SEE CATALOG TABLE 4.



- NOTES: UNLESS OTHERWISE SPECIFIED
- ASSEMBLY IDENTIFICATION PER MIL-STD-1285.
 - MATERIAL: ALUMINUM ALLOY



SCAN HERE FOR MORE INFO

The information disclosed herein is the property of, and a proprietary item originated by ELECTRO ADAPTER, INC., who reserves all patent, proprietary design, use, sale, manufacturing and reproduction rights in the United States. Cases, components and items which are vendor parts, disclosure shall not be made without written consent from ELECTRO ADAPTER, INC.

UNLESS OTHERWISE SPECIFIED DIMENSIONS ARE IN INCHES
 TOLERANCES: ANGLES .XX = ±.06
 .XX = ±.031
 DO NOT SCALE DRAWINGS

DRAWN	DATE	CHKD	DATE	APVD	DATE
PADM	2/13/13	GF	2/13/13	GF	2/13/13
RELEASED	DATE	RELEASED	DATE	RELEASED	DATE

ELECTRO ADAPTER, INC.
 CHATSWORTH, CA. 91311-6189

DRAWING TITLE
ADAPTER, BANDING FOR ITT CANNON (VEAM) CIR SERIES

SIZE: A
 CAGE CODE: 31461
 DRAWING NUMBER: 902-13864
 SCALE: NONE
 SHEET: 1 OF 1

PART NO. 902-13864			
REVISIONS			
LTR	ECO NO.	DRAWN	APPR.
A	22608	SPC 6/16	06/07/16

Example Part Number

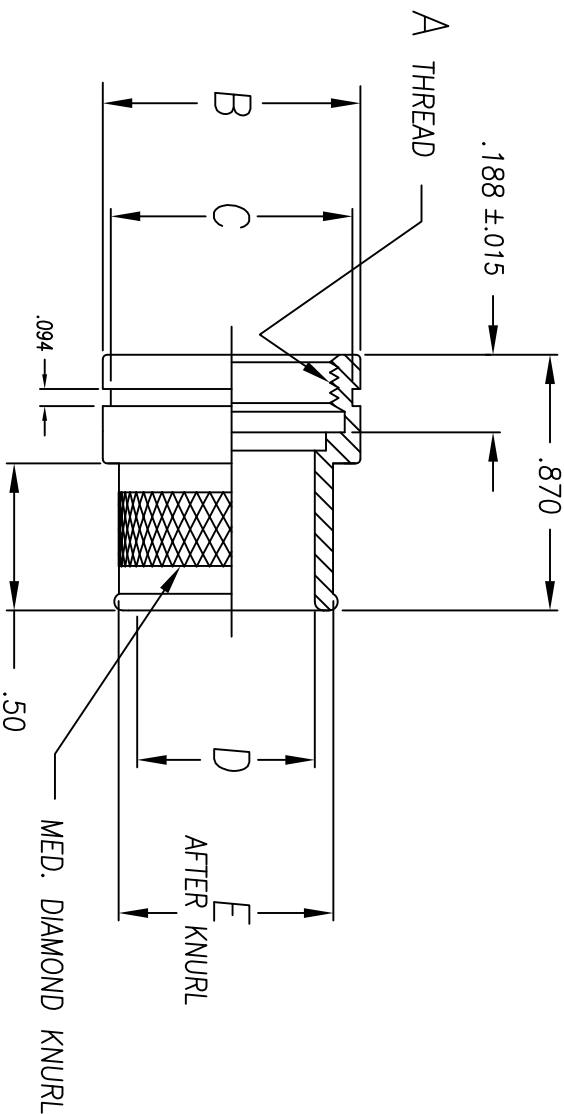
902-13870-1656

BASIC PART NUMBER

CONNECTOR CODE

ORDER NUMBER	A UNIFIED THD. CLASS 2B	ØB ±.015	ØC ±.015	ØD ±.015	ØE ±.015
0 5	.250-32	.375	.344	.188	.312
0 6	.312-32	.406	.375	.250	.375
1 1	.375-28	.469	.438	.281	.406
0 7	.438-28	.562	.531	.281	.406
0 8	.500-28	.594	.562	.375	.500
0 9	.562-24	.625	.594	.406	.531
1 0	.625-24	.719	.688	.500	.625
1 2	.688-24	.812	.781	.531	.656
1 3	.750-20	.875	.844	.594	.719
1 4	.938-20	1.000	.969	.781	.906

PLATING CODE NUMBER
 CODE 10 - PASSIVATE, PER SAE-AMS-2700D (MATL.300 SERIES, SST), TYPE 6
 CODE 55 - CADMIUM, OLIVE DRAB, PER QQ-P-416, TYPE II, CLASS 3, OVER ELECTROLESS NICKEL PER MIL-C-26074 CLASS 3 OR 4, GRADE B.
 CODE 56 - ELECTROLESS NICKEL, PER MIL-C-26074, CLASS 4, GRADE A.
 FOR ADDITIONAL FINISH OPTIONS, SEE CATALOG TABLE 4.



NOTES: UNLESS OTHERWISE SPECIFIED

1. ASSEMBLY IDENTIFICATION PER MIL-STD-1285.
2. MATERIAL: ALUMINUM ALLOY / SST (REF FINISH)
3. FINISH: SEE EXAMPLE PART NUMBER

The information disclosed herein is the property of, and a proprietary item originated by ELECTRO ADAPTER, INC., who reserves all patent, proprietary design, use, sale, manufacturing and reproduction rights in the United States. Customers are notified that the vendor parts disclosure shall not be made without written consent from ELECTRO ADAPTER, INC.

DRAWN		DATE
SJDC		1-4-15
CHKD		DATE
APVD		DATE
GF		1-6-15
RELEASED		DATE
GF		1-6-15

ELECTRO ADAPTER, INC.
 CHATSWORTH, CA. 91311-6189

MINIATURE ADAPTER, BANDING
 FOR SPL MINIATURE 38999
 (MK10 - STANDARD UN THREAD)

SIZE	CAGE CODE	DRAWING NUMBER	REV.
A	31461	902-13870	-
SCALE: NONE	/0/SALES/802/13870	SHEET 1 OF 1	

PART NO. 902-13870			
REVISIONS			
LTR	ECO NO.	DRAWN	APPR.
-			