

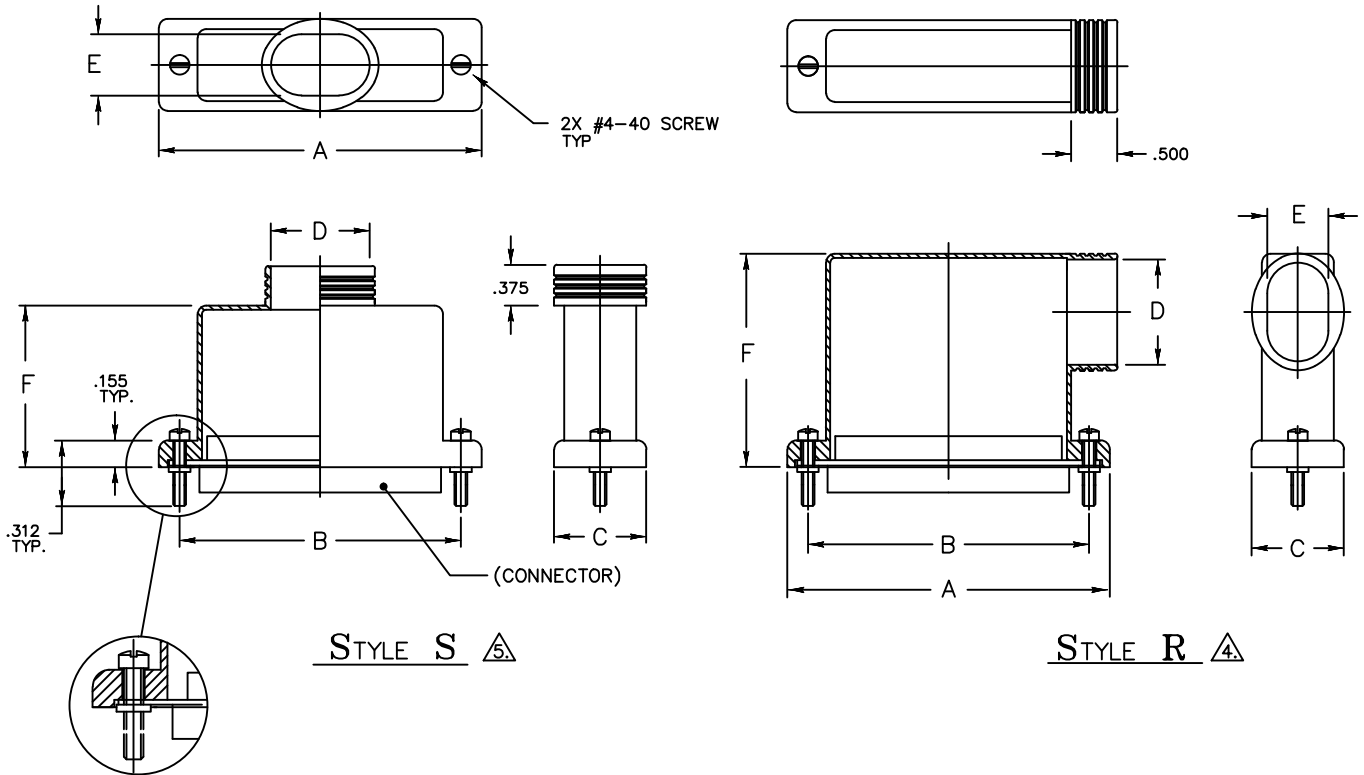


**ELECTRO ADAPTER INC.**  
 CHATSWORTH, CALIFORNIA, USA 91311  
 PHONE (818) 998-1198  
 FAX (818) 709-5773

**SECTION 3 - RECTANGULAR ADAPTER**  
**EMI / RFI , BAND TERMINATION ,**  
**STRAIGHT , 90° SIDE ENTRY**  
**MIL - DTL - 24308 , D-SUB**

**901-820**

SHEET 1 OF 1



**STYLE S**

**STYLE R**

NYLON WASHER  
 SEE PART NUMBER

*Example Part Number*

901 - 820 S 25 1 56 \*

BASIC ADAPTER NO.

ADAPTER STYLE  
 S = STRAIGHT ADAPTER  
 R = 90° ADAPTER

JACKSCREW TYPE  
 F = 2 MALE FILLISTER   
 H = 2 MALE HEX SOCKET   
 J = 2 FEMALE JACKPOST  
 OMIT IF JACKSCREWS & WASHERS  
 NOT REQUIRED

CONNECTOR SHELL SIZE					
SHELL SIZE	A	B	C	D	E
9	±.030	±.005	±.030	±.010	±.030
15	1.366	.984	.640	.430	.437
25	1.694	1.312	.640	.500	.500
37	2.241	1.852	.640	.687	.437
50	2.778	2.500	.640	.800	.437
104	2.778	2.406	.750	.900	.552
104	2.882	2.500	.812	.900	.552

HEIGHT CODE	
HEIGHT CODE	F
BLANK	.78
1	1.25
2	1.50
3	1.75
4	2.00
5	2.25
6	1.00

PLATING CODE NUMBER  
 CODE 56 - ELECTROLESS NICKEL, PER SAE  
 AMS-C-26074F WITH IRIDITE  
 CONVERSION.  
 FOR ADDITIONAL FINISH, SEE CATALOG TABLE 4.

NOTES: UNLESS OTHER WISE SPECIFIED

1 ASSEMBLY IDENTIFICATION PER MIL-STD-I285

2. MATERIAL: BACKSHELL - ALUMINUM ALLOY

HARDWARE - STAINLESS STEEL

GASKET - EMI ALUMINUM WEAVE,

NEOPRENE IMPREGNATED

SCREW ARE CAPTIVATED WITH NYLON WASHERS

NOT AVAILABLE ON SHELL SIZE 37 OR 50 STYLE R  
 ADAPTERS

BLANK HEIGHT CODE AVAILABLE WITH STYLE S ONLY